

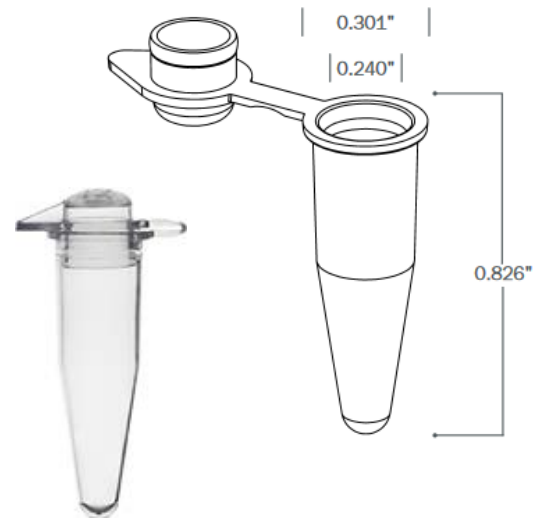
PCR Single Tubes, 3425 Series Domed Cap

Description

Uniform thin-walled design for optimum heat transfer.
Available in pre-sterile, sorted by colour, sorted by pre-sterile or transparent non-sterile. With domed lid.
Each batch is subjected to strict testing and single batch testing.

All tubes are certified free of:

- DNA
- DNase & RNase
- Endotoxine (Pyrogene)



Technical Data

Description	0.2 ml PCR tubes with domed cap			
Material	Virgin Polypropylene			
Compatibility	Compatible with most Thermal Cycler products on the market			
Tube Type	NP, Clear 3425.X	NP, Assorted Colors 3425.A.X	NP, Clear, Pre-Sterile 3425.S.X	NP, Assorted Colors Pre-Sterile 3423.AS.X
Quantity	Bulk, Tubes & Caps			
Packaging	1000 Tubes/Pack ; 10 Packs/Case			
Autoclavable	Autoclavable at 121°C for 15 minutes at 15 PSI			
Production Standards and Processes	Product is assembled under a rigorous quality control system in a RNase/DNase free white room in accordance with ISO 9001:2000 standards. Biotix personnel are capped, masked, gloved and gowned in the assembly area. RNase/DNase free certification is verified for every lot as required.			